

PFISTERER



COMPONENTS

ISICOMPACT

The New Clamp Ring with
Only One Bolt.

THE POWER CONNECTION

CABLE SYSTEMS | COMPONENTS | OVERHEAD LINES | RAILWAY CATENARY SYSTEMS



The State of Play.

By the 1970s the PFISTERER COMPACT tap connector had already become the standard in domestic connection technology. Installed a million times, tried and tested a million times.

Installation experience over the past few years has shown that things can occasionally go wrong when making the contact with the six bolts. This has mostly occurred in restricted working conditions or when tightening bolts from below. The problem: if just one of the six bolts is not correctly tightened, the flow of current is susceptible to damage.



The Innovative Trick: The Shear Nut.

With the SICON connector system, we introduced the stepless shear head bolt.

The same principle is involved in the ISICOMPACT application. In an even more innovative manifestation: the "shear nut". It's so clean and simple:



- The shear nut is screwed on, for example, with a cordless screwdriver.
- This closes the ISICOMPACT, the contact elements penetrate the insulation and so make the electrical contact between the main conductor and the tap conductor.
- On reaching the rated torque, the nut breaks at a predetermined breaking point.
- It is turned further until the nut shears the projecting screw bolt off flush.
- This means the contacts are always under the optimum torque.
- Unlike other multi-range clamp rings, levelling pieces are not required for small conductors.
- A spring-loaded steel pressure plate ensures constant contact force.



From Experience for Experience: an Overview of the Benefits.

■ Easy Insertion.

The tap conductors are inserted laterally without having to strip the insulation first. Inconvenient insertion from the front is eliminated.

■ Permanent Contact.

The shear nut acts as a “built-in torque wrench” for optimum tightening torque. The pressure plate is spring-loaded and so ensures continual contact force.

■ One for All.

ISICOMPACT accepts all main conductors in the range from 70 – 185 mm² and tap conductors of 6 – 70 mm² in cross section and can be used for all cable types (DIN and TGL).

■ Safer all Round.

The live contact elements are finger-safe, enclosed in a housing of fully insulating, glass-fibre strengthened polymeric compound. That means: even more safety with live working.





■ A Strong Team.

ISICOMPACT is available as a set with suitable joints, system-approved to EN 50393.

■ All under Control.

The captive stiffening ribs stop the contact plates penetrating into the insulation before the nut is tightened.

■ No half Measures.

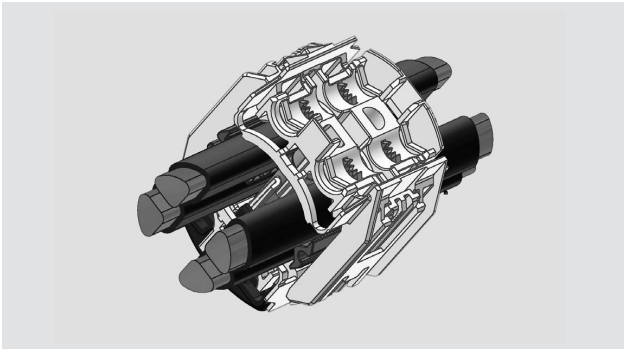
The assembly process is complete when the projecting bolt shears off, a partially connected ISICOMPACT cannot be sealed! The chances of mistakes are therefore reduced.

■ The Result.

“Excellent! You can see from the ISICOMPACT that really practical people have been at work!”
(Fitter after a field test with ISICOMPACT).

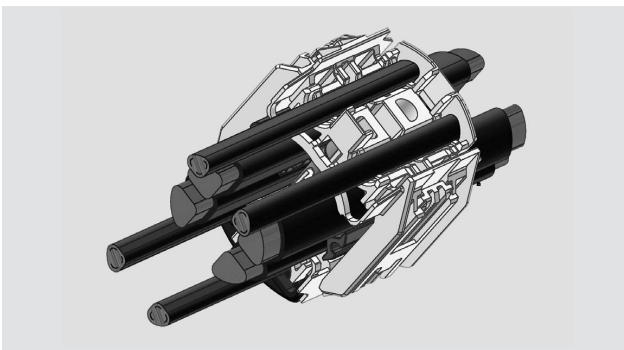


Everything ISI: Safe Assembly in a few Easy Steps.



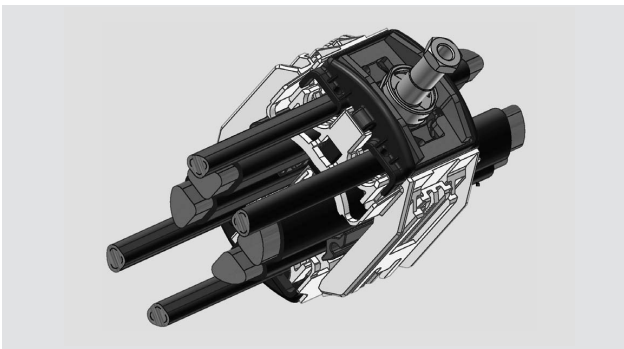
1. The heads with the contact elements are placed around the main conductor and locked together. The stiffening ribs stop the contact plates penetrating into the insulation of the main and tap conductors.

Benefit: Optimum safety for personnel.



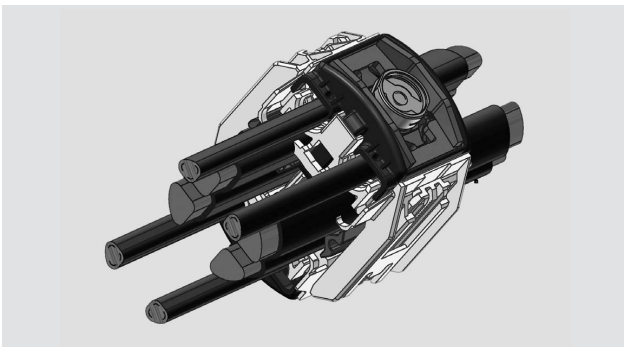
2. The tap conductor is inserted into the clamp.

Benefit: No need to strip insulation, no complicated insertion, no time lost!



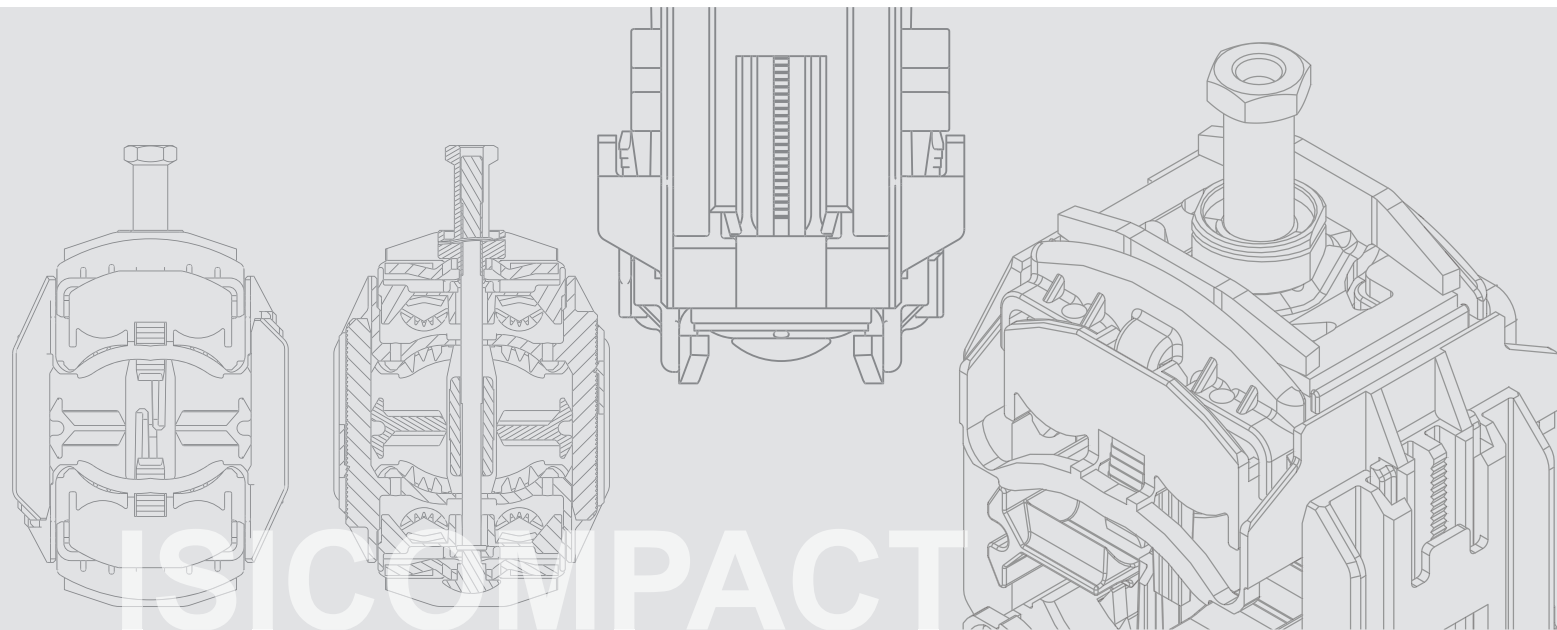
3. The two covers are placed in position and the bolt tightened until the nut shears.

Benefit: The clamp is always tightened with the optimum torque, even cordless screwdrivers can be used.



4. If you continue turning the nut, the projecting bolt is broken off flush.

Benefit: No risk of injury, minimum space required.



The Revolution.

After intensive monitoring of practical experience and numerous conversations with fitters, we came to the conclusion: the fewer bolts the clamp ring has, the safer the working outcome.

6 Bolts are 5 too many!

The revolution: ISICOMPACT, the new clamp ring with only one bolt for contacting all conductors in main and tap cables. New: by tightening the bolt, the clamp ring's contacts penetrate the insulation of the main and tap conductors. So the insulation does not need to be removed from the tap conductor beforehand.

That means: Assembly, convenient and secure like never before – practically in the twinkling of an eye.



ISICOMPACT. The Facts, the Details.

ISICOMPACT Tap Connector

Item	Across flats	Main conductor	Tap conductor	Screw length
331 896 001	SW13	4 x 70 mm ² – 150 mm ² and 185 mm ² SE	4 x 6 mm ² – 50 mm ² and 70 mm ² SE	120
331 896 003	SW13	4 x 70 mm ² – 150 mm ² and 185 mm ² SE	4 x 6 mm ² – 50 mm ² and 70 mm ² SE	130
331 896 011	SW13	4 x 25 mm ² RM and 35 mm ² – 95 mm ²	4 x 6 mm ² – 50 mm ² and 70 mm ² SE	120
331 896 021	SW13	3 x 70 / 35 mm ² – 150 / 70 (95) mm ²	4 x 6 mm ² – 50 mm ² and 70 mm ² SE	130
331 896 031	SW13	4 x 25 mm ² RM and 4 x 35 mm ² – 150 mm ² and 185 mm ² SE, 3 x 70 / 35 mm ² – 150 / 70 (95) mm ²	4 x 6 mm ² – 50 mm ² and 70 mm ² SE	130

ISICOMPACT joint sets*

Joint sets with ISICOMPACT and cored two-component casting resin KP-PUR 2000

Item	Joint type Ø/Length [mm]	Volume [l]	Housing shells	Resin container	ISICOMPACT
332 407 113	130/300	1.9	Polypropylene; transparent, viscoplastic	Mixing bags	331 896 001
332 407 114	130/300	1.9	Polypropylene; transparent, viscoplastic	Tins	331 896 001
332 407 117	130/300	1.9	Polypropylene; transparent, viscoplastic	Mixing bags	331 896 011
332 407 118	130/300	1.9	Polypropylene; transparent, viscoplastic	Tins	331 896 011
332 407 123	140/420N	3.7	Polypropylene; transparent, viscoplastic	Mixing bags	331 896 001
332 407 124	140/420N	3.7	Polypropylene; transparent, viscoplastic	Tins	331 896 001
332 407 127	140/420N	3.7	Polypropylene; transparent, viscoplastic	Mixing bags	331 896 021
332 407 128	140/420N	3.7	Polypropylene; transparent, viscoplastic	Tins	331 896 021
332 407 161	140/420N	3.7	Polypropylene; transparent, viscoplastic	Mixing bags	331 896 031
332 407 162	140/420N	3.7	Polypropylene; transparent, viscoplastic	Tins	331 896 031

Joint sets with ISICOMPACT and non-cored two-component casting resin KP-PUR 762

Item	Joint type Ø/Length [mm]	Volume [l]	Housing shells	Resin container	ISICOMPACT
332 408 113	130/300	1.9	Polypropylene; transparent, viscoplastic	Mixing bags	331 896 001
332 408 114	130/300	1.9	Polypropylene; transparent, viscoplastic	Tins	331 896 001
332 408 117	130/300	1.9	Polypropylene; transparent, viscoplastic	Mixing bags	331 896 011
332 408 118	130/300	1.9	Polypropylene; transparent, viscoplastic	Tins	331 896 011
332 408 123	140/420N	3.7	Polypropylene; transparent, viscoplastic	Mixing bags	331 896 001
332 408 124	140/420N	3.7	Polypropylene; transparent, viscoplastic	Tins	331 896 001

Joint sets with ISICOMPACT and cored two-component casting resin KP-FILL BRH

Item	Joint type Ø/Length [mm]	Volumen [l]	Housing shells	Resin container	ISICOMPACT
332 409 113	130/300	1.9	Polypropylene; transparent, viscoplastic	Mixing bags	331 896 001
332 409 114	130/300	1.9	Polypropylene; transparent, viscoplastic	Tins	331 896 001
332 409 117	130/300	1.9	Polypropylene; transparent, viscoplastic	Mixing bags	331 896 011
332 409 118	130/300	1.9	Polypropylene; transparent, viscoplastic	Tins	331 896 011
332 409 123	140/420N	3.7	Polypropylene; transparent, viscoplastic	Mixing bags	331 896 001
332 409 124	140/420N	3.7	Polypropylene; transparent, viscoplastic	Tins	331 896 001
332 409 127	140/420N	3.7	Polypropylene; transparent, viscoplastic	Mixing bags	331 896 021
332 409 128	140/420N	3.7	Polypropylene; transparent, viscoplastic	Tins	331 896 021

*Further joint sets with ISICOMPACT are available on request.

PFISTERER Ltd. | Unit 9 Ellesmere Business Park | Off Swingbridge Road | Grantham NG31 7XT | **United Kingdom**
Telephone +44 (0) 1476 578657 | Fax +44 (0) 1476 568631 | info.uk@pfisterer.com | www.pfisterer.co.uk

PFISTERER (Pty) Ltd. | 9 Willowton Road | Pietermaritzburg 3201 | **South Africa**
Telephone +27 (0) 33 397 5400 | Fax +27 (0) 33 387 6377 | pfisterer@iafrica.com | www.pfisterer.co.za

PFISTERER INTERNATIONAL AG | Werkstraße 7 | 6102 Malters, Luzern | **Switzerland**
Telephone +41 (0) 41 4997 474 | Fax +41 (0) 41 499 74 26 | export@sefag.ch | www.pfisterer.com

PFISTERER Kontaktsysteme GmbH | Bahnhofstraße 30 | 89547 Gerstetten-Gussenstadt | **Germany**
Telephone +49 (0) 7323 83 0 | Fax +49 (0) 7323 83 603 | info@pfisterer.de | www.pfisterer.de